



## HYDRUS VR

### Underwater 3D Virtual Reality

Incorporating SONY's newest ultra low light chip, HYDRUS VR captures 4k imaging like no other system. The 10 camera array features the SONY UMC-S3CA cinema camera, custom lenses from SLR Magic and proprietary realtime control software. HYDRUS VR produces both a stitched image resolution of 8192 x 4096 spherical at 30 frames and Stereo 4k. Whether for storytelling or research, HYDRUS VR is the right tool for the virtual underwater experience.



### CAMERA MODEL

SONY Ultra Low-Light UMC-S3CA

### IMAGING FEATURES

Eight Cameras in a horizontal radial array with 60 percent overlap

Two Cameras on a vertical axis in the nadir

Individual Camera Resolution UHD 3840x2160

Genlock tri-level sync

XAVCS 4K Recoding Format

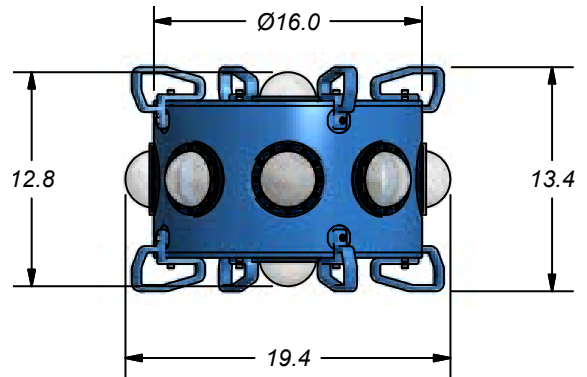
8+ hours Record Time

[marineimagingtech.com](http://marineimagingtech.com)



### MECHANICAL SPECIFICATIONS

Maximum Working Depth	300m
Maximum Battery Life:	2 hours
Camera Weight:	75lbs
Salt Water Buoyancy:	Neutral

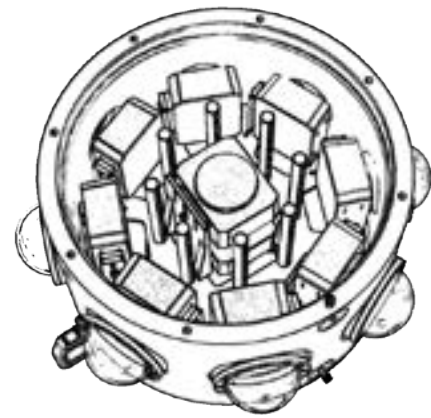


### CONTROL & MONITORING

- Real time Controls
- Power On/Off
- ISO UP/Down
- Shutter Up/Down
- Record Start/Stop
- 9 Camera monitoring

### OUTPUT SPECIFICATIONS

- 8192 x 4096 mono spherical 30FPS
- 4096 x 2160 mono spherical 120FPS
- 4096 x 2160 3D - left/right eye rendered



### POST PROCESSING

- PT GUI Stitch Profile
- Mystika VR Optical Workflow



1.617.394.1188  
Info@marineimagingtech.com

marineimagingtech.com